



APPLICATION SOLUTION C48T #01

BAG SEALING TIMING APPLICATION

A small candy manufacturer is having a difficult time with a manual bag sealing operation. Using their hands, the operator places the bags of candy into a sealer. The operator depresses a foot pedal, which lowers the top half of the heater down onto the bag. If the top heater is not on the bag for at least 3.50 seconds the bag is not sealed, but if it is on longer than 7.50 seconds the bag burns. For both problems the bag cannot be used and the candy is wasted. The operator needs to be informed by a light when 3.50 seconds is reached and by a sound when 6.00 seconds (before burn) has occurred.

PRODUCT USED: C48TD002

The Red Lion model C48TD002 Dual Preset Timer is a cost effective solution. This timer has a two-line display. The top is the running time and the bottom is the preset values.

HOW IT WORKS

A foot pedal controls the position of the heater top. A switch installed in the foot pedal would start the timer, by connecting Run to Common terminals on the timer. When 3.50 seconds (Preset 1) is reached the light connected to Relay 1 turns on. If 6.00 seconds (Preset 2) is reached the horn connected to Relay 2 turns on. These outputs are latched on (Operating mode 1) until a reset is performed. A switch at the open position of the heater top resets the timer and outputs by connecting User Input 1 (programmed for Reset) to Common terminals on the timer.

DESIGN ADVANTAGES

The visual indication for a good seal and the audio indication for stop, greatly improved the productivity.

ADDITIONAL CAPABILITIES

There is a program Disable Jumper on the inside of the timer. If this jumper were moved to the "on" position then the program and preset values would be locked from the operator.

DIP SWITCH OR JUMPER SETTINGS

All are at factory settings.

PROGRAMMING (Only non-factory settings shown)

trAnGE : SEC.00

OPeR : 1

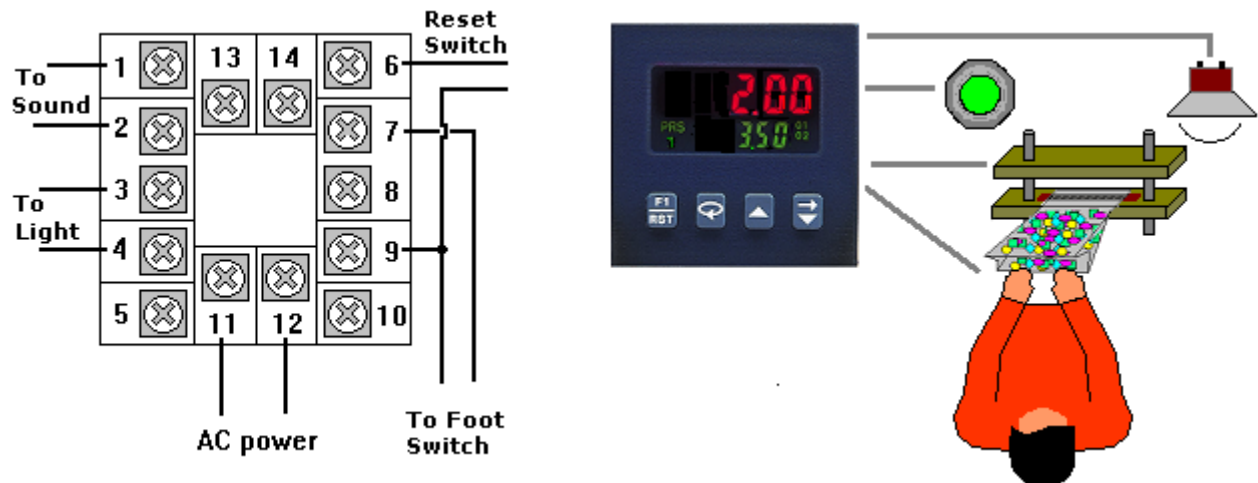
Ac PrS : -n -n

PrESEt 1 : 3.50

PrESEt 2 : 6.00

WIRING DIAGRAM

All wiring must be according to the installation guidelines listed in the product's specifications. For the output to function an external isolated voltage source (not shown below) must be connected in series.



This application note is intended to be an example. Your specific application may require changes in products, programming and/or wiring. For specific assistance, you may contact your local Red Lion products supplier or Red Lion Controls Technical Support at 717-767-6511.